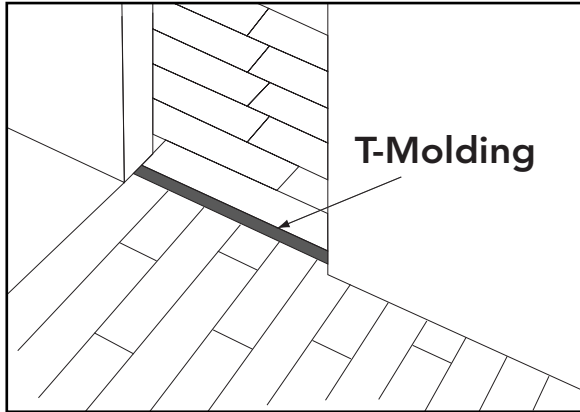
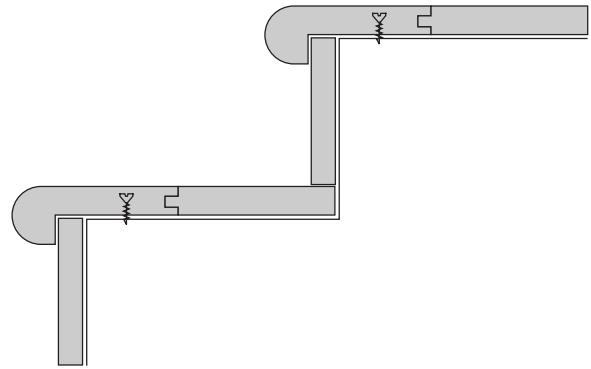


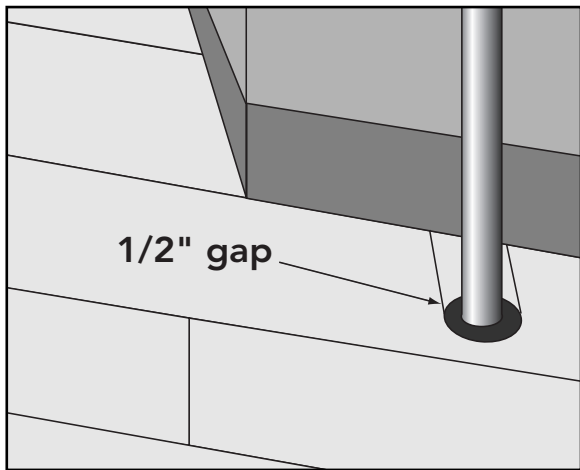
Shaw Hardwoods™ - Special Circumstances



Doorways: Attempting to continue installing rows through a doorway into another room can cause problems because the narrow opening is a very small base upon which to continue consistent even rows into the next room. Instead install the floor in each room normally until you get to the door. Then cut to fit the board, connecting the floors of the rooms with a T-Molding.



Installation on Stairs: Flooring on stairs must be fully adhered to the stairs using ShawBond 200™ Hardwood Flooring Adhesive. Moldings should be installed using either screw type fasteners or nails along with the appropriate adhesive. The tongue and groove must be adhered as normal using Shaw Hardwood Tongue and Groove Adhesive.



Pipes, vents and other fixed objects: Each can be unique, but the general rule is to measure very carefully before you cut and remember to leave a 1/2" expansion gap between the object and the flooring. You will cover expansion gaps with molding, vent covers or pipe rings when the floor is complete.